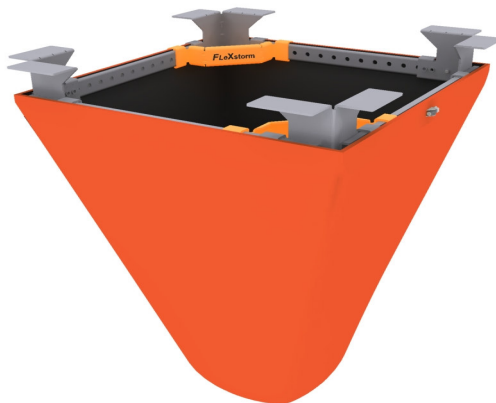
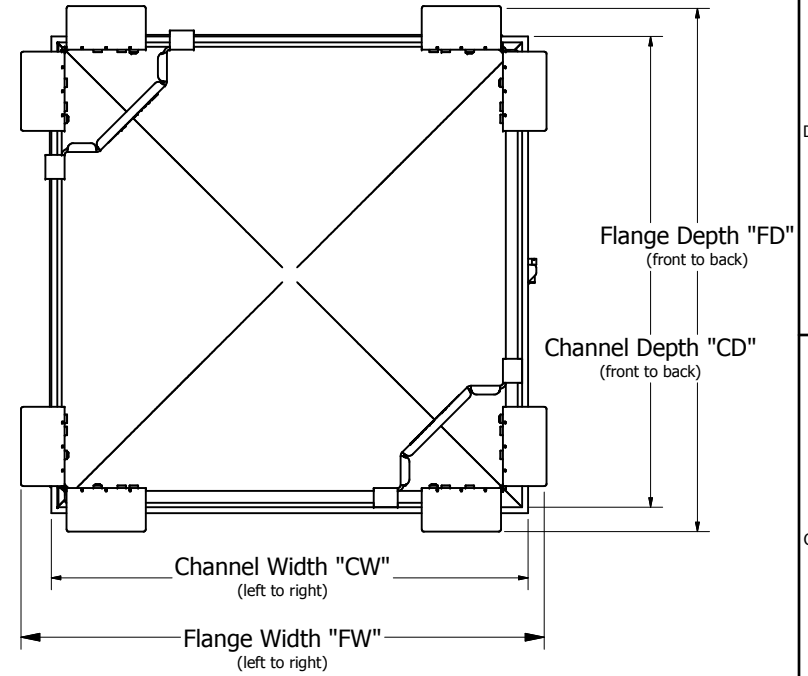
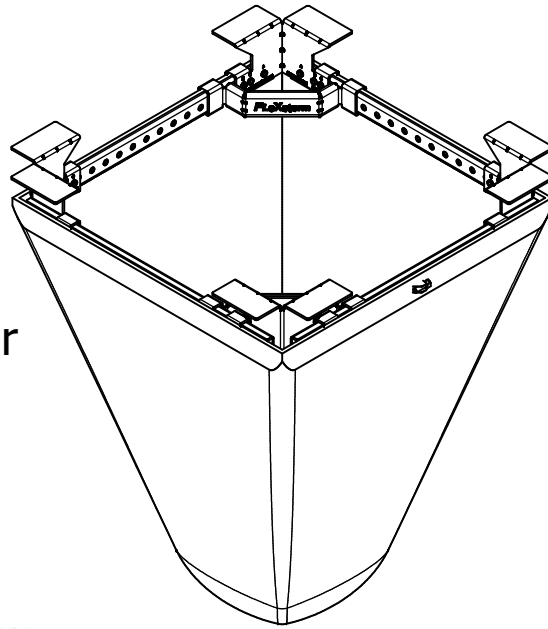


# IPP FLeXstorm INLET FILTERS

## PRODUCT SELECTION for FLAT/RECTANGULAR CASTINGS



DOT Design Standard	ST	Neenah Foundry	East Jordan	FLeXstorm Base P/N	Casting Grate Size (Width x Depth)	Casting Clear Opening (Width x Depth)	FLeXstorm Flange "FW" x "FD"	FLeXstorm Channel "CW" x "CD"
			5090	F-1818	18 x 18	16.25 x 16.25	17.7 x 17.7	15.5 x 15.5
4	IL	R3443-B	5150	F-2215	21.75 x 14.75	20 x 13	21.7 x 14.7	19.5 x 12.5
2	IN	R3472	5340	F-2222	21.75 x 21.75	19.6 x 19.6	21.7 x 21.7	19.5 x 19.5
D, DX, W	MI		5100, 5105	F-2222	22.25 x 22.25	20.125 x 20.125	21.7 x 21.7	19.5 x 19.5
5	IN		5425	F-2322	22.5 x 22.5	(2) 20.687 x 19.5	22.2 x 21.7	20.0 x 19.5
20/22	IL	R3528-V, R3529-V (2 GRTS)	7535, 5380, 7536 (2 GRTS)	F-2323	22.5 x 22.5	20.5 x 20.5	22.2 x 22.2	20.0 x 20.0
23	IL	R3525-L	7464	F-2416	24 x 16.25	22.25 x 14.5	23.7 x 16.2	21.5 x 14.0
24	IL	R3526-L	7467	F-2422	24 x 22.25	21.75 x 20.5	23.7 x 22.2	21.5 x 20.0
			5250	F-2424	23.625 x 23.625	22.125 x 22.125	23.7 x 23.7	21.5 x 21.5
		R3562		F-2626	26 x 26	24 x 24	25.7 x 25.7	23.5 x 23.5
			5115	F-2727	27 x 27	25 x 25	26.7 x 26.7	24.5 x 24.5
13	IN	R3360-A	5335	F-3017	29.75 x 16.75	27.5 x 14.5	29.7 x 16.2	27.5 x 14.0
NA		R3077 (2 GRTS)		F-3018	29.75 x 17.75	28 x 16	29.7 x 17.7	27.5 x 15.5
B (ISTHA)	IL	R3455C		F-3624	36 x 24	34 x 22	35.7 x 23.7	33.5 x 21.5

**NOTE:** Selection not limited to that shown in table. Please specify grate size, clear opening size, or casting make and number.

DRAWN Jamie	8/17/2007	<b>INLET &amp; PIPE PROTECTION</b>	
CHECKED			
QA		TITLE	
MFG		FLeXstorm Product Selection for Flat/Rectangular Castings	
APPROVED		SIZE C	REV
		SCALE	DWG NO FLeXstorm Flat Rectangular
			SHEET 1 OF 1