

ENVIRO-SAFE HIGH CAPACITY GRATE INLET SKIMMER
 CALIFORNIA CURB SHELF BASKET WATER CLEANSING SYSTEM
 SAN DIEGO REGIONAL STANDARD CURB INLET

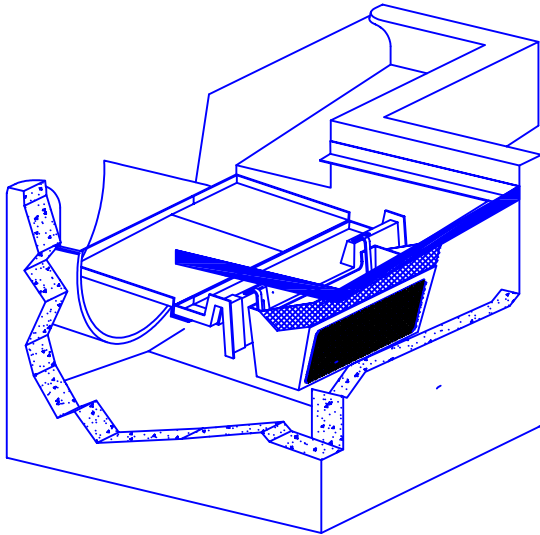


FIGURE 1
 DETAIL OF PARTS

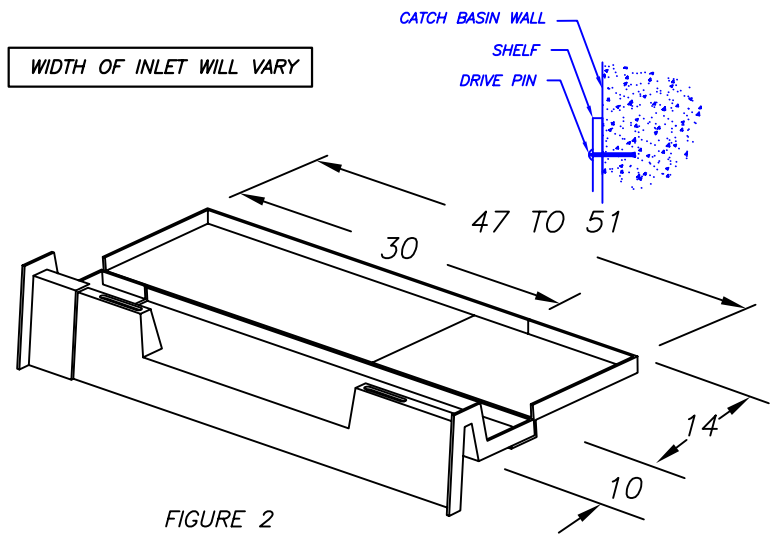


FIGURE 2
 DETAIL OF INSTALLATION

REMOVABLE BASKET CATCHES EVERYTHING
 AND MAY BE REMOVED THROUGH MANHOLE
 WITHOUT ENTRY.

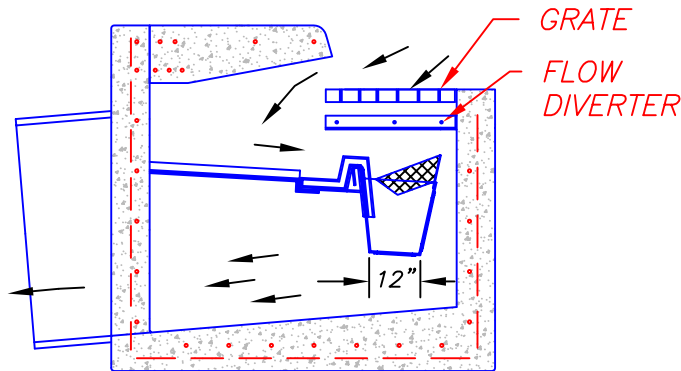


FIGURE 3
 DETAIL OF PROCESS

FLOW RATES per 3 FT. Basket				
$Q = SO * c_d * A \sqrt{2 * g * h}$ $c_d = \text{Coefficient of Discharge} = .67$				
	SO	A(ft ²)	h (ft)	Q ($\frac{ft^3}{s}$)
Coarse Screen	.62	.84	0.146	1.06
Med Screen	.56	1.36	0.75	3.53
Fine Screen	.68	1.02	1.167	4.01
TOTAL				8.6

The above flow rates are based on unobstructed screens.

NOTES:

- 1.SHELF SYSTEM PROVIDES FOR ENTIRE COVERAGE OF INLET OPENING SO TO DIVERT ALL FLOW TO BASKET.
- 2.SHELF SYSTEM MANUFACTURED FROM MARINE GRADE FIBERGLASS,GEL COATED FOR UV PROTECTION.
- 3.SHELF SYSTEM ATTACHED TO THE CATCH BASIN WITH NON-CORROSIVE HARDWARE.
- 4.FILTRATION BASKET STRUCTURE MANUFACTURED OF MARINE GRADE FIBERGLASS,GEL COATED FOR UV PROTECTION.
- 5.FILTRATION BASKET FINE SCREEN AND COARSE CONTAINMENT SCREEN MANUFACTURED FROM STAINLESS STEEL.
- 6.FILTRATION BASKET HOLDS BOOM OF ABSORBENT MEDIA TO CAPTURE HYDROCARBONS. BOOM IS EASILY REPLACED WITHOUT REMOVING MOUNTING HARDWARE.
- 7.FILTRATION BASKET LOCATION IS DIRECTLY UNDER MANHOLE FOR EASY MAINTENANCE.

BOX MANUFACTURED FROM
 MARINE GRADE FIBERGLASS & GEL
 COATED FOR UV PROTECTION

5 YEAR MANUFACTURERS WARRANTY

PATENTED

ALL FILTER SCREENS ARE STAINLESS STEEL

DISTRIBUTED BY:
 SUNTREE TECHNOLOGIES

SUNTREE QUALITY PRODUCTS ARE BUILT FOR EASY CLEANING AND ARE
 DESIGNED TO BE PERMANENT INFRASTRUCTURE AND SHOULD
 LAST FOR DECADES.

SUNTREE TECHNOLOGIES 798 CLEARLAKE RD. SUITE #2 COCOA FL. 32922 TEL. 321-637-7552 FAX 321-637-7554		PROJECT:
CURB INLET BASKET SYSTEM		REVISIONS: DATE:
DATE: 04/12/04	SCALE: SF = 15	REVISIONS: DATE:
DRAFTER: N.R.B.	UNITS = INCHES	REVISIONS: DATE: