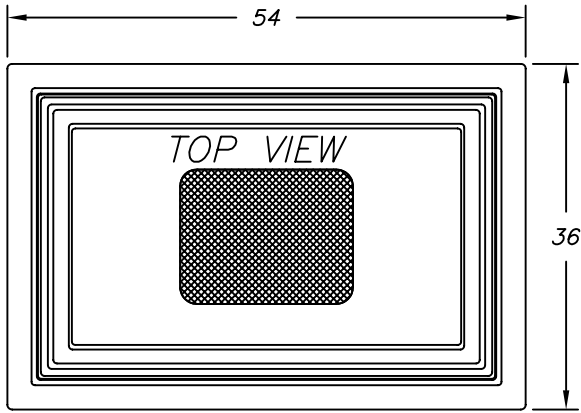
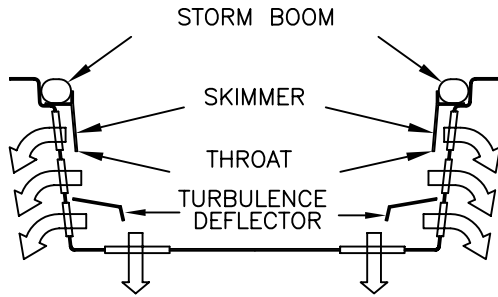


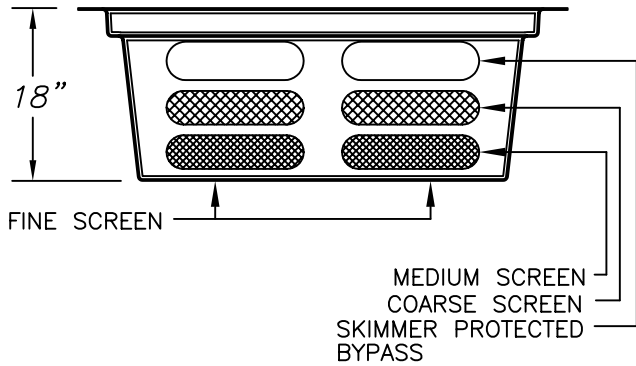
Part # GISB-E-36-54-18



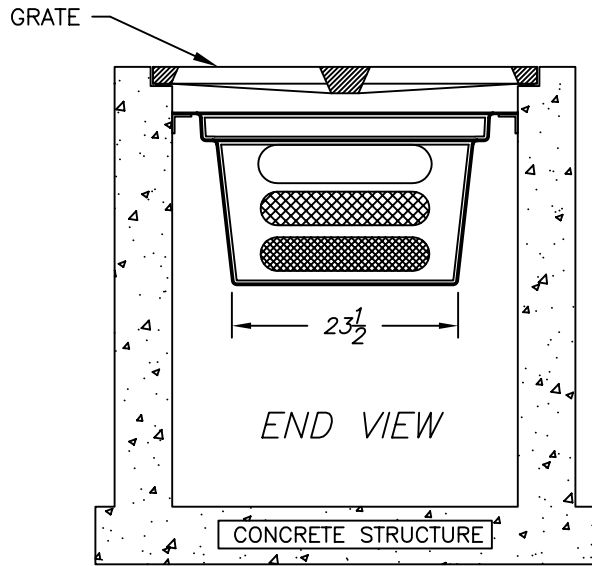
FLOW SCHEMATIC



SIDE VIEW



| Description of filter opening                                     | Percent Open<br><small>Based on Screen Dimensions</small> | Total Square Inches per Unit         | Square Inches of Total Unobstructed Openings | Flow Rate (Cubic Feet per Second) |
|---|---|--------------------------------------|--|-----------------------------------|
| Skimmer protected By-Pass   | 100%  | 384.4                                | 384.4  | 15.0cfs                           |
| Coarse Screen<br>3/4" x 1-3/4" stainless steel flattened expanded | 62%   | 328.1                                | 203.4  | 9.2cfs                            |
| Medium Screen<br>10x10 mesh stainless steel                       | 56%   | 328.1                                | 183.7  | 9.4 cfs                           |
| Fine screen<br>14 x 18 mesh stainless steel                       | 68%   | 249.4                                | 169.6  | 9.2cfs                            |
| THROAT FLOW RATE<br>Total: 37.6 cfs                               |   | TREATED FLOW RATE<br>Total: 27.8 cfs |  |                                   |
| FLOW RATES BASED ON UNOBSTRUCTED OPENINGS                         |   |                                      |  |                                   |



MOUNT TO WALL BELOW GRATE WITH MOUNTING KIT CONSISTING OF ALUMINUM ANGLES, TAPCONS, AND DRILL BITS  
MOUNTING KIT SOLD SEPARATELY

BOX MANUFACTURED FROM MARINE GRADE FIBERGLASS & GEL COATED FOR UV PROTECTION

5 YEAR MANUFACTURERS WARRANTY

PATENTED

ALL FILTER SCREENS ARE STAINLESS STEEL

SUNTREE QUALITY PRODUCTS ARE BUILT FOR EASY CLEANING AND ARE DESIGNED TO BE PERMANENT INFRASTRUCTURE AND SHOULD LAST FOR DECADES.

|   |                |            |       |
|---|----------------|------------|-------|
| SUNTREE TECHNOLOGIES<br>798 CLEARLAKE RD, SUITE #2<br>COCOA FL. 32922<br>TEL. 321-637-7552 FAX 321-637-7554 |                | PROJECT:   |       |
| GRATE INLET SKIMMER BOX FOR FLORIDA DOT TYPE E INLET STRUCTURES.  |                | REVISIONS: | DATE: |
| DATE: 04/12/04  | SCALE: SF = 20 | REVISIONS: | DATE: |
| DRAFTER: N.R.B.   | UNITS = INCHES | REVISIONS: | DATE: |