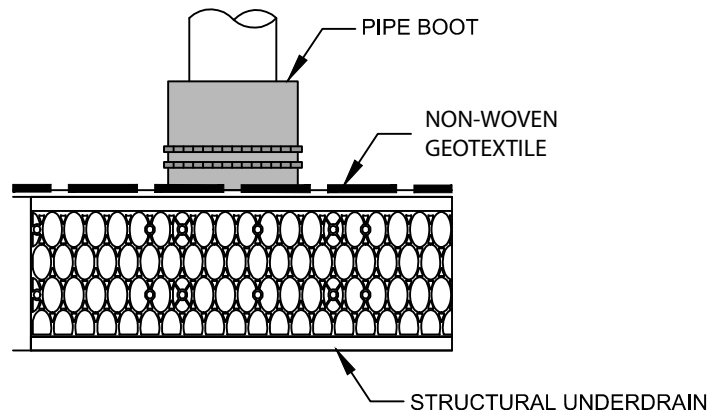
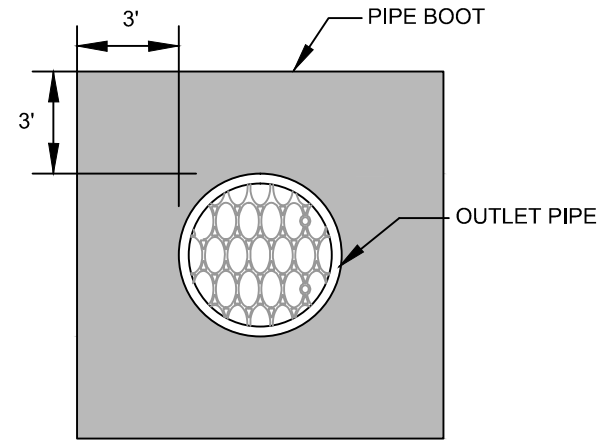


OBSERVATION/ MAINTENANCE PORT CONNECTION

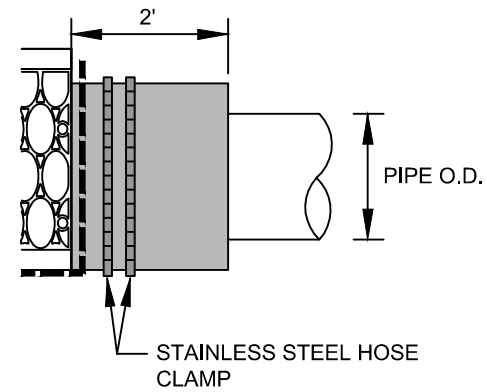
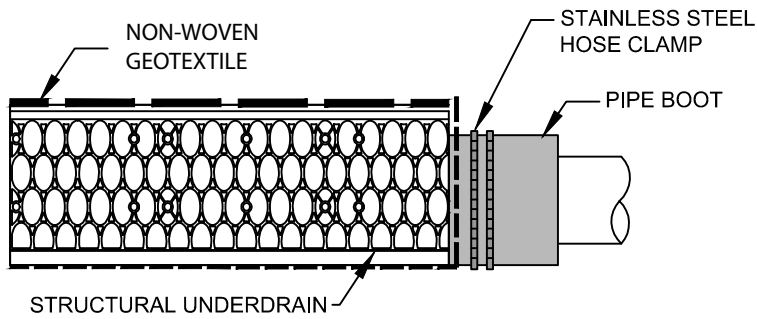


PIPE BOOT DETAIL



FRONT VIEW

OUTLET/ INLET PIPE CONNECTION



SIDE VIEW

FOCALPOINT HPMBS PIPE CONNECTION